

Truckline Inc.

Call Us at **Tel: 201-887-2506**

Truck & Trailer Body Parts Mfg. & Sales

Web Site WWW.TRUCKLINE-SALE.COM

Hinges

Aluminum Hinges

Stainless Steel Hinges

Galvanized Steel Hinges













Truckline Inc.

Call Us at **Tel: 201-887-2506**

Truck & Trailer Body Parts Mfg. & Sales

Web Site WWW.TRUCKLINE-SALE.COM

DOOR Hinges

TL-Hinge-22-00407 	TL-Hinge-22-01047 	TL-Hinge-22-01036 	TL-Hinge-22-01046 
TL-Hinge-22-01041 	TL-Hinge-22-01043 	TL-Hinge-22-01035 	TL-Hinge-22-01040 
TL-Hinge-22-01051 	TL-Hinge-22-01055 	TL-Hinge-22-01056 	TL-Hinge-997-98027 

Truckline Inc.

Call Us at **Tel: 201-887-2506**

Truck & Trailer Body Parts Mfg. & Sales

Web Site WWW.TRUCKLINE-SALE.COM

DOOR Hinges

PART NO.	Cross Reference	MFG.	Weight	Material
TL-Hinge-22-00407	31801018	Great Dane	1.19#	Aluminum
TL-Hinge-22-01047	21101272	Wabash	0.96#	Aluminum
TL-Hinge-22-01036	515-10-78-1	Trailmobile		Aluminum
TL-Hinge-22-01041	000-000	Manac	1.15#	Aluminum
TL-Hinge-22-01043	353-239	Manac	1.15#	Aluminum
TL-Hinge-22-01035	16396	Kentucky	1.47#	Aluminum
TL-Hinge-22-01040	16600	Kentucky	0.65#	Aluminum
TL-Hinge-22-01055	20038	Vanco	1.10#	Aluminum
TL-Hinge-22-01056	3410019	Utility	1.36#	Aluminum
TL-Hinge-22-01051	004141	Morgan	0.66#	Aluminum
TL-Hinge-22-01046	004161	Morgan	1.01#	Aluminum

Truckline Inc.

Call Us at **Tel: 201-887-2506**

Truck & Trailer Body Parts Mfg. & Sales

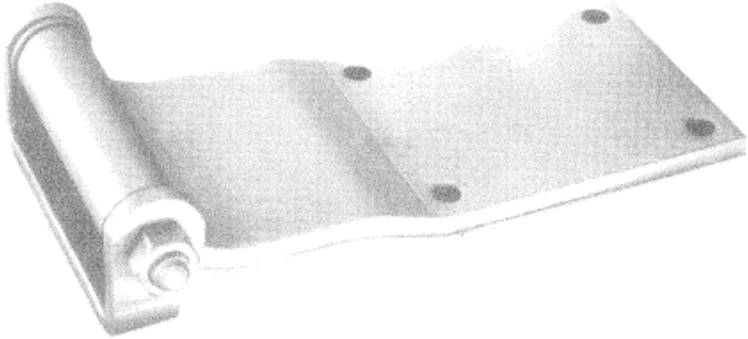
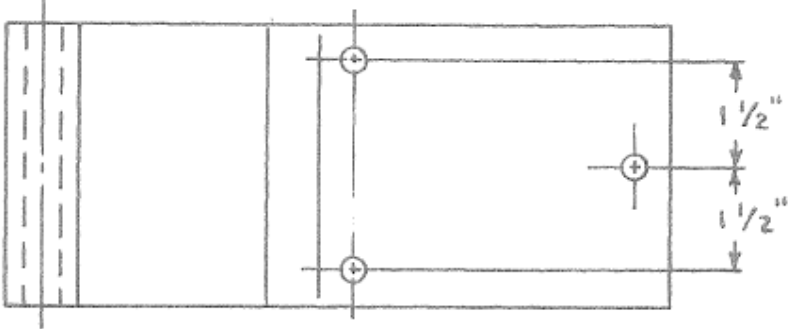
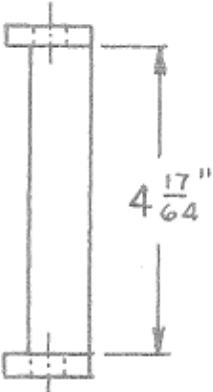
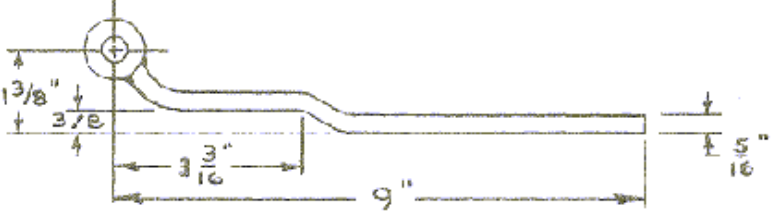
Web Site WWW.TRUCKLINE-SALE.COM

Description: **4" All Steel Heavy Duty Hinges**
For Trailer and Container doors.

Material : **5/16" x 4" x 9" to Center of pin, finish Zinc plated.**

Part No.: **TL-Hinge-01-1809-04 Hinge**
TL-Hinge-01-1809-20 Flush Bracket

Comment: **Stock Item**

	
<p>1809-103</p> 	<p>1809 Bracket</p> 
<p>1809</p> 	

Truckline Inc.

Call Us at **Tel: 201-887-2506**

Truck & Trailer Body Parts Mfg. & Sales

Web Site WWW.TRUCKLINE-SALE.COM

Description: **Swing Door Hinges, Embossed over the Seal Hinges**

Material : Stainless steel

Comment: **Stock Item**

Part No.: **TL-Hing-02-013-SS** **12.5"**
 TL-Hing-02-009-SS **9.5"**
 TL-Hing-02-007-SS **7"**



Truckline Inc.

Call Us at **Tel: 201-887-2506**

Truck & Trailer Body Parts Mfg. & Sales

Web Site WWW.TRUCKLINE-SALE.COM

Description: **Swing Door Hinges, Embossed over the Seal Hinges**

Material : Galvanized steel

Comment: **Stock Item**

Part No.: **TL-Hing-02-013 12.5"**
TL-Hing-02-009 9.5"
TL-Hing-02-007 7"



Description: **Swing Door Hinges, Embossed over the Seal Hinges**

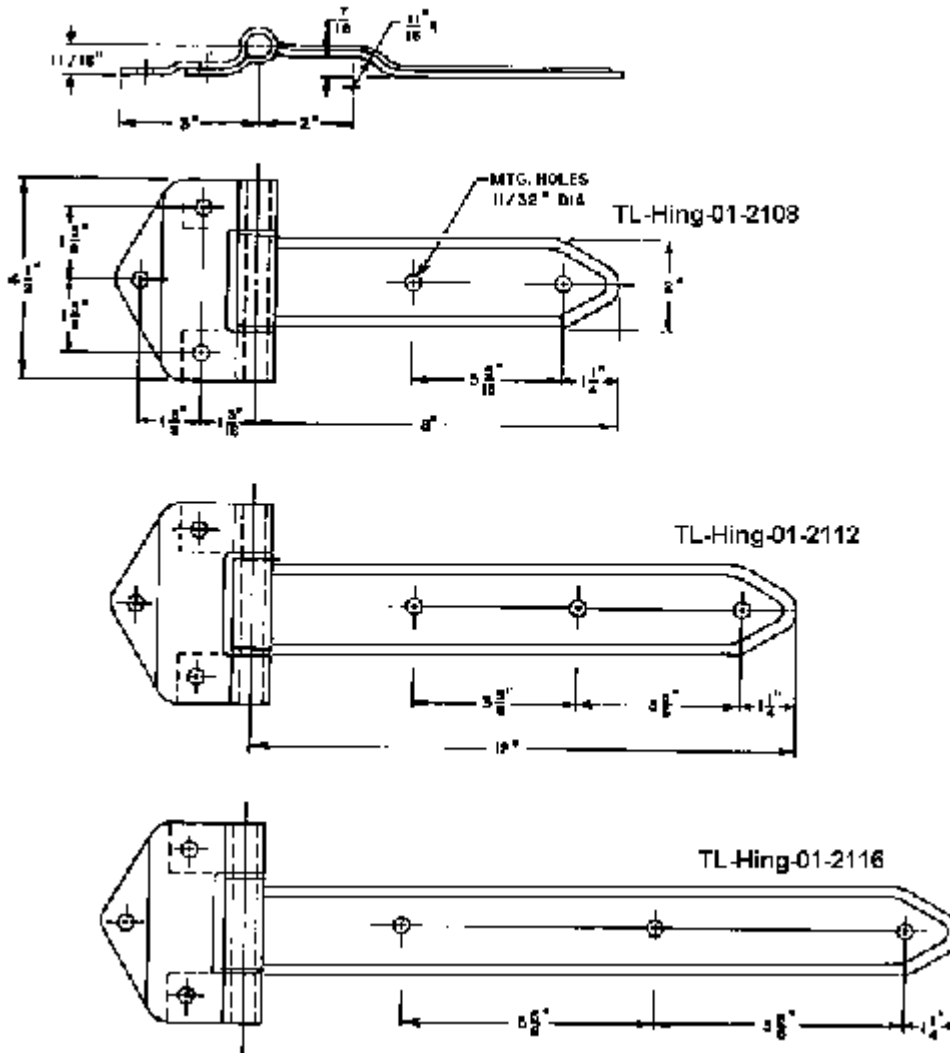
HINGES

8 - 6

Material : Galvanized steel or .160 Aluminum or 10 GA Plain & Polished Stainless steel

Comment: Stock Item

DIMENSIONAL DRAWINGS

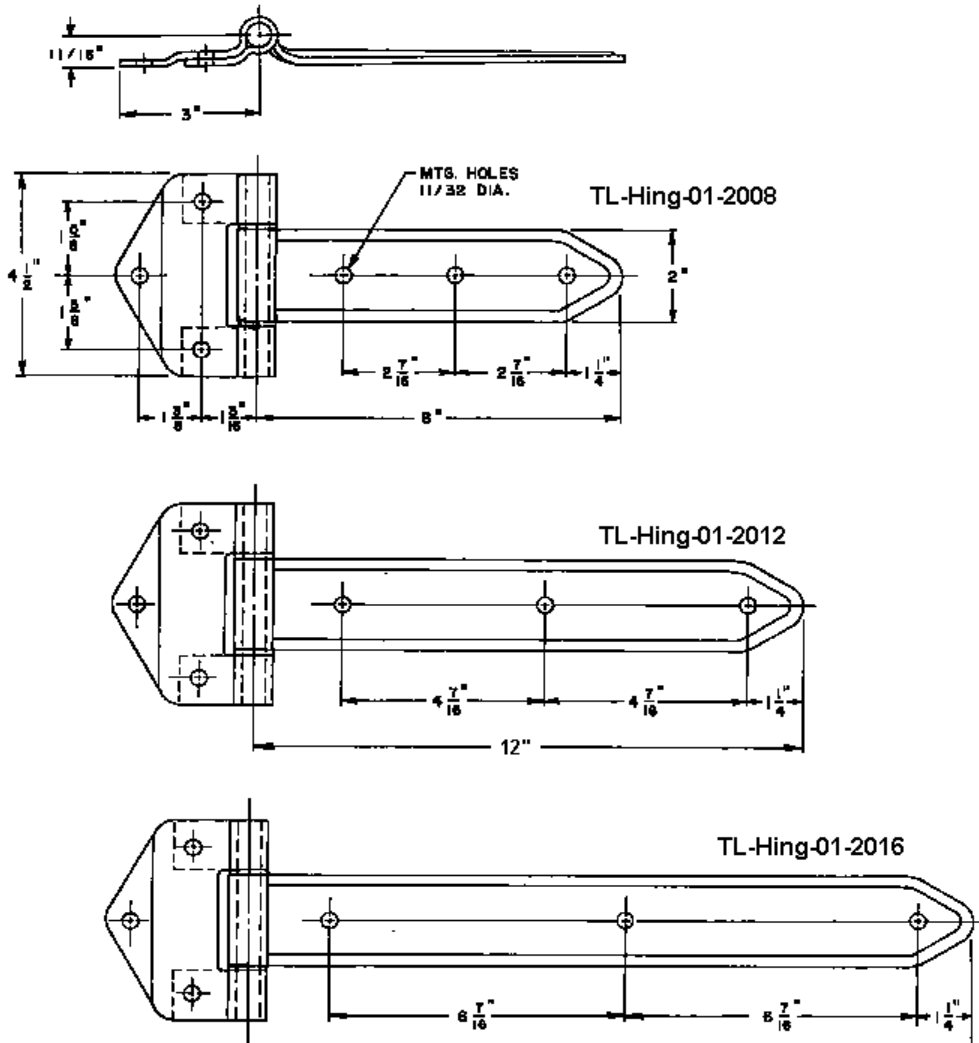


Description: **Swing Door Hinges, Embossed Hinges**

Material : Galvanized steel or .160 Aluminum or 10 GA Plain & Polished Stainless steel

Comment: Stock Item

DIMENSIONAL DRAWINGS



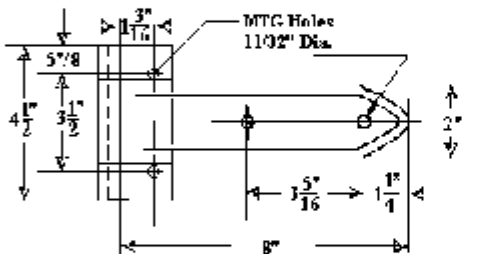
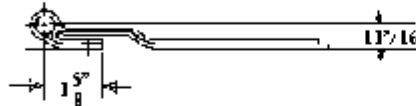
Description: **Reverse bracket allows door to swing 270 degrees.**
Manufactured from high quality hot rolled steel. Supplied with non-removable pin.

Material : **Steel, Zinc Plated**

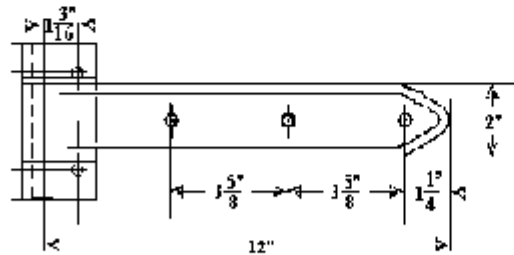
DIMENSIONAL DRAWINGS



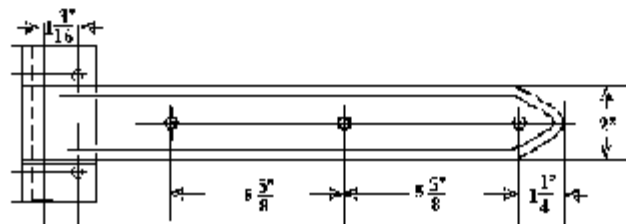
DIMENSIONAL DRAWINGS



TL HING 01 2208
Wt. - 2 lbs.



TL-HING-01-2212
Wt. - 2 1/4 lbs.



TL HING 01 2216
Wt.. 2 1/2 lbs.

Truckline Inc.

Call Us at **Tel: 201-887-2506**

Truck & Trailer Body Parts Mfg. & Sales

Web Site WWW.TRUCKLINE-SALE.COM

Description: **Reverse bracket allows door to swing 270 degrees. This hinge is designed to be used in Morgan Body rear frames.**

Material : **Galvanized steel**

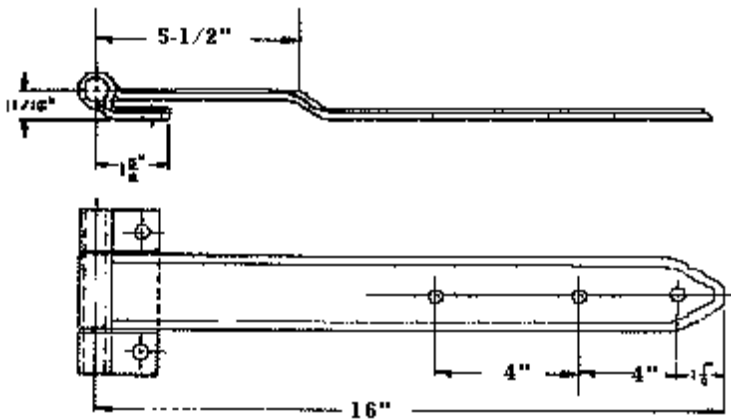
Part No.: **TL-Hing-01-2216M**

Comment: **Stock Item**



Wt. 21 1/2 lbs.

TL-Hing-01-2216M



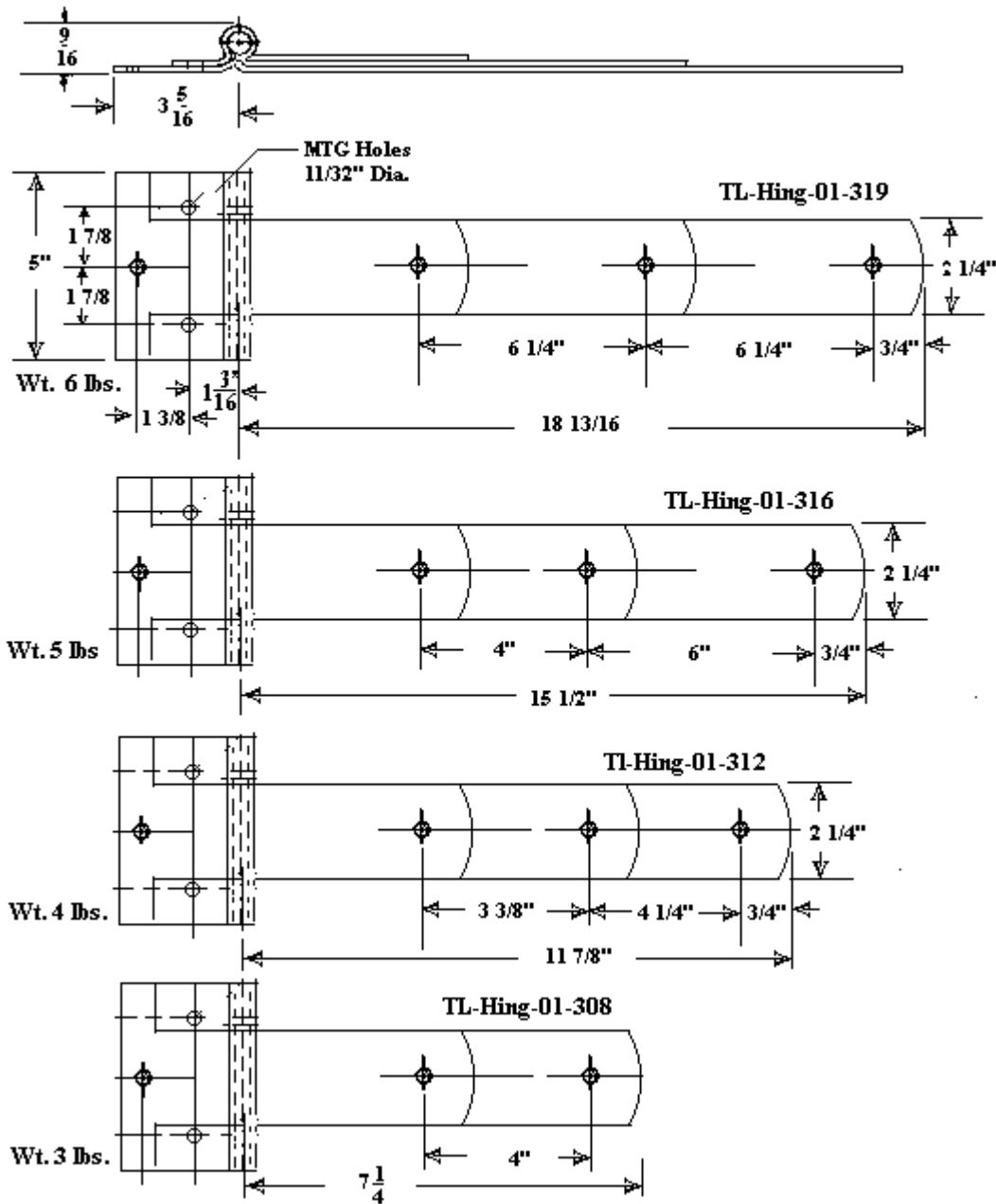
Description: **All steel hinges have Double or triple laminations in the strap for greater strength. Opens 180 degrees. Supplied with non removable pin.**

Material : **Steel Zinc Plated**

Part No.: **TL-Hing-01-3xx**

Comment: **Stock Item**

DIMENSIONAL DRAWINGS



Truckline Inc.

Call Us at **Tel: 201-887-2506**

Truck & Trailer Body Parts Mfg. & Sales

Web Site WWW.TRUCKLINE-SALE.COM

Description: **Curbside Door Hinge For Morgan Body**

Material : **Aluminum**

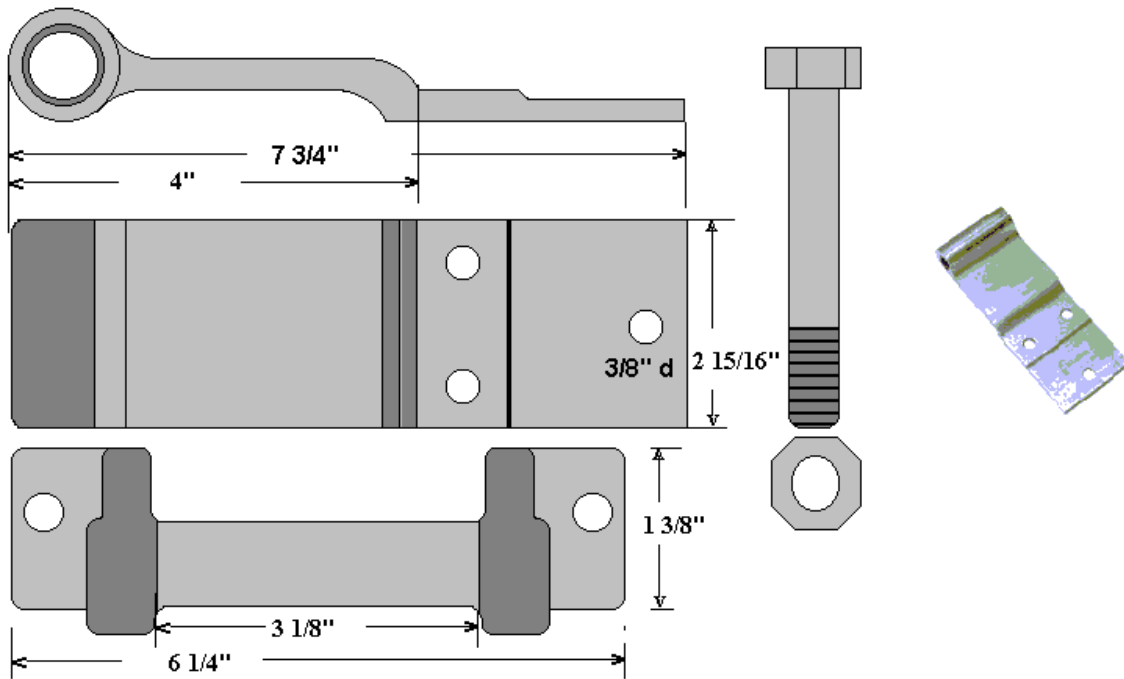
Part No.: **TL-Morgan-Hing-01 (kit)**

Comment: **Stock item may be sold as a kit or separately**

01-01 - Hinge

01-02 - Bude

01-03 - Pine



Description: **Rear Door Hinge For Morgan Body**

Material : **Aluminum**

HINGES

8 - 12

Truckline Inc.

Call Us at **Tel: 201-887-2506**

Truck & Trailer Body Parts Mfg. & Sales

Web Site WWW.TRUCKLINE-SALE.COM

Part No.: **TL-Morgan-Hing-02 (kit)**

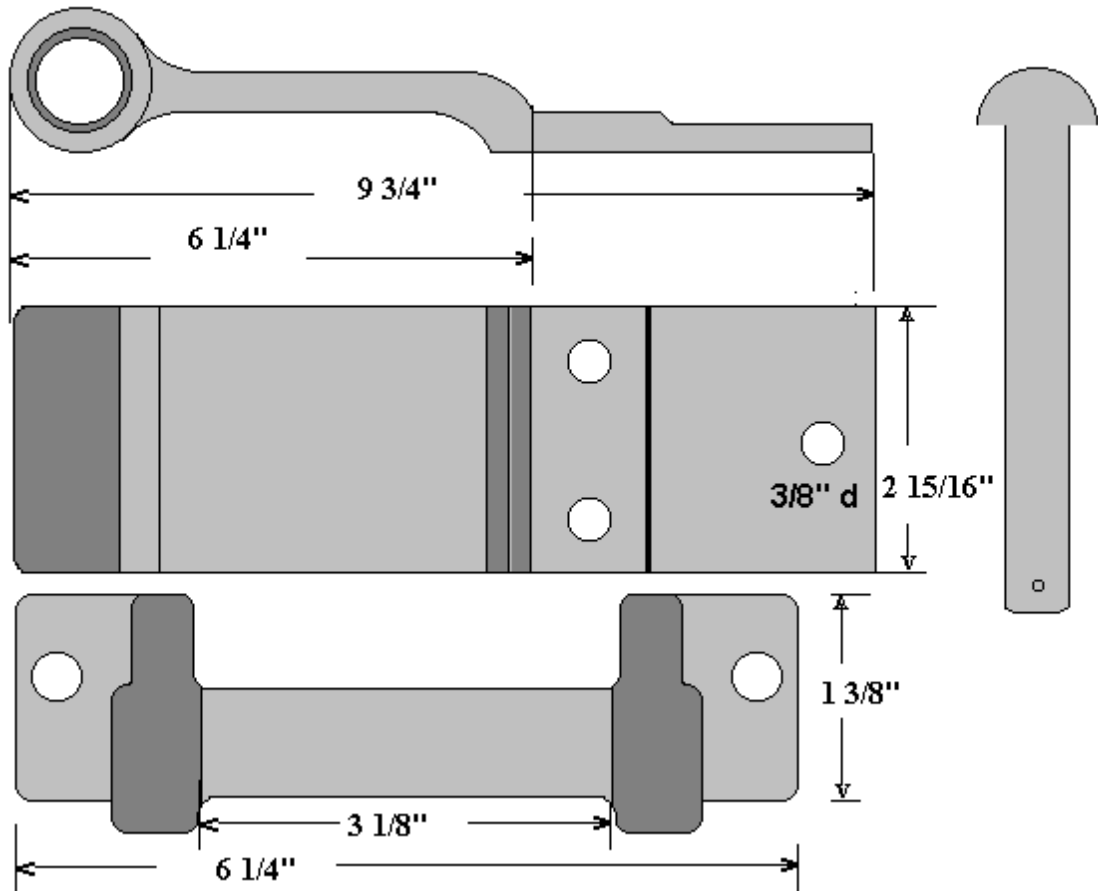
02-01 - Hinge

02-02 - Bude

02-03 - Pine

Comment: **Stock item may
be sold as a kit or
separately**

Note: The butt of this hinge is same as TL-Morgan-Hing-01



Truckline Inc.

Call Us at **Tel: 201-887-2506**

Truck & Trailer Body Parts Mfg. & Sales

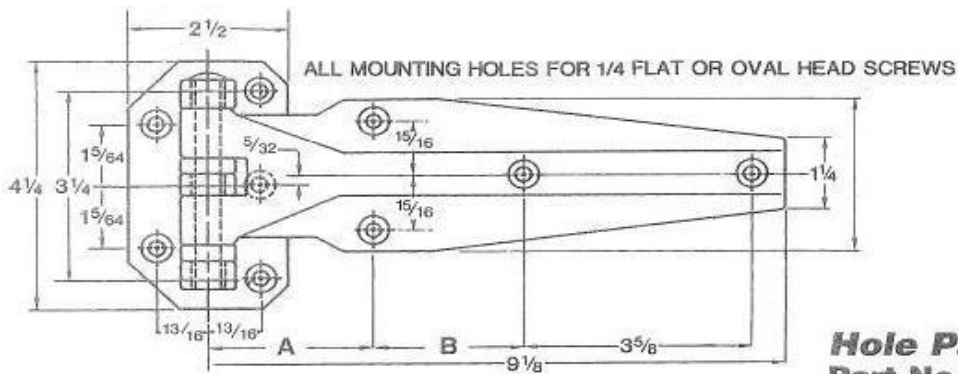
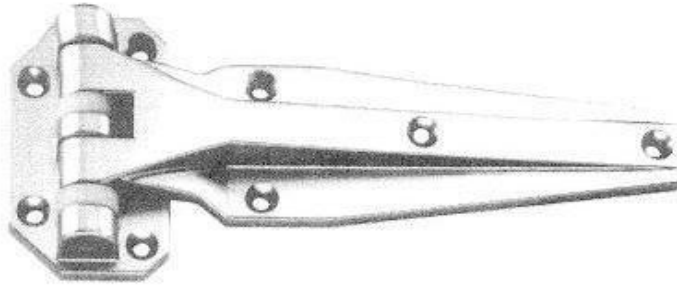
Web Site WWW.TRUCKLINE-SALE.COM

Description: **For refrigerator doors, vent doors, cabinets, etc. Furnished with a stainless steel pin, nylon bushings and thrust bearings provide smooth operation. Pin may be reversed to make hinge right or left hand.**

Material : **Zinc Die Cast Hinge, High Polish Chrome Plated.**

Weight: **2.2 lbs.**

Part No.: **TL-Hing-01-109**



Hole Pattern

Part No.	A	B
109	2-5/8"	2-3/8"
109-001	3-3/4"	1-1/4"

