

Truckline Inc.

Call Us at **Tel: 201-887-2506**

Truck & Trailer Body Parts Mfg. & Sales

Web Site WWW.TRUCKLINE-SALE.COM

Hardware For Truck & Trailer Parts

Locking Systems

Gas Spring

Door Handles

Vents

Door Holders

Polyurethane Foam

U-Bolts

Door Locks

Truckline Inc.

Call Us at **Tel: 201-887-2506**

Truck & Trailer Body Parts Mfg. & Sales

Web Site WWW.TRUCKLINE-SALE.COM

Description.: **U-BOLT KIT Set**

Each Set Contains:

1 - Square bend U-Bolts with 8" No. 11 N.C thread 5/8

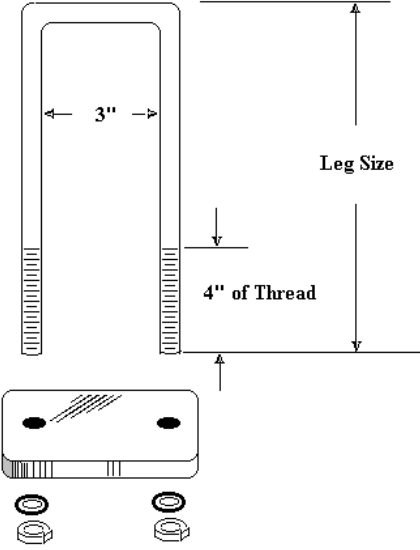
2 - Lock Washers

2 - Hex Nuts

1 -1/2" x 1 1/2" x 6" Tie Bars

*** Packed 4 sets per kit**

Part No.	Size
TL-Steel-P-003-Kit	12" Legs
TL-Steel-P-004-Kit	14" Legs
TL-Steel-P-005-Kit	16" Legs
TL-Steel-P-006-Kit	18" Legs
TL-Steel-P-007-Kit	20" Legs
TL-Steel-P-008-Kit	22" Legs
TL-Steel-P-009-Kit	24" Legs



Truckline Inc.

Call Us at **Tel: 201-887-2506**

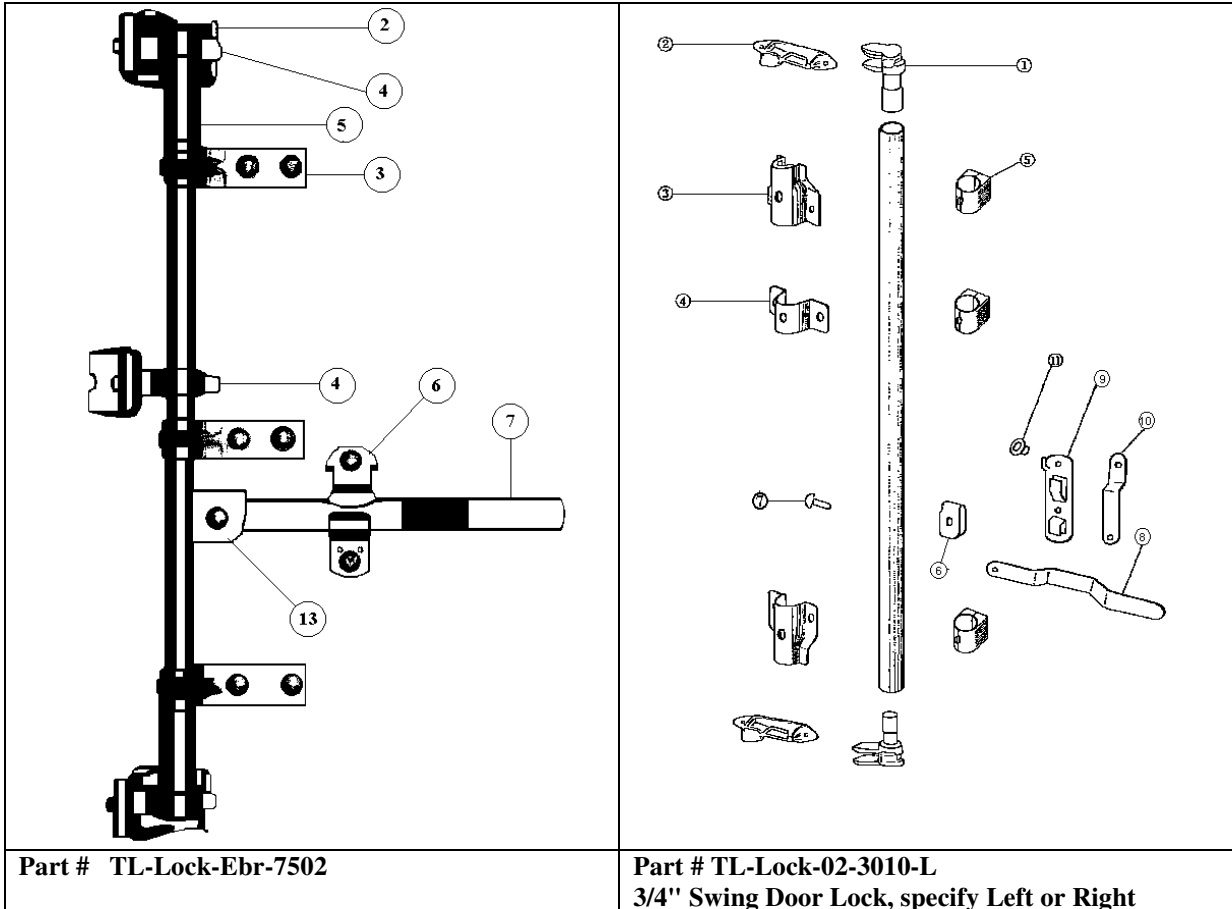
Truck & Trailer Body Parts Mfg. & Sales

Web Site WWW.TRUCKLINE-SALE.COM

Description: **Two or Three Point 3/4" Cam Locking System**

Material: **Galvanized Steel**

Comment: **Stock Item**



- Pip is not included

Truckline Inc.

Call Us at **Tel: 201-887-2506**

Truck & Trailer Body Parts Mfg. & Sales

Web Site WWW.TRUCKLINE-SALE.COM

Description: **3/4" Cam Locking System**

Material: Galvanized Steel or Stainless Steel Comment: Stock Item/ Pip is not included



Truckline Inc.

Call Us at **Tel: 201-887-2506**

Truck & Trailer Body Parts Mfg. & Sales

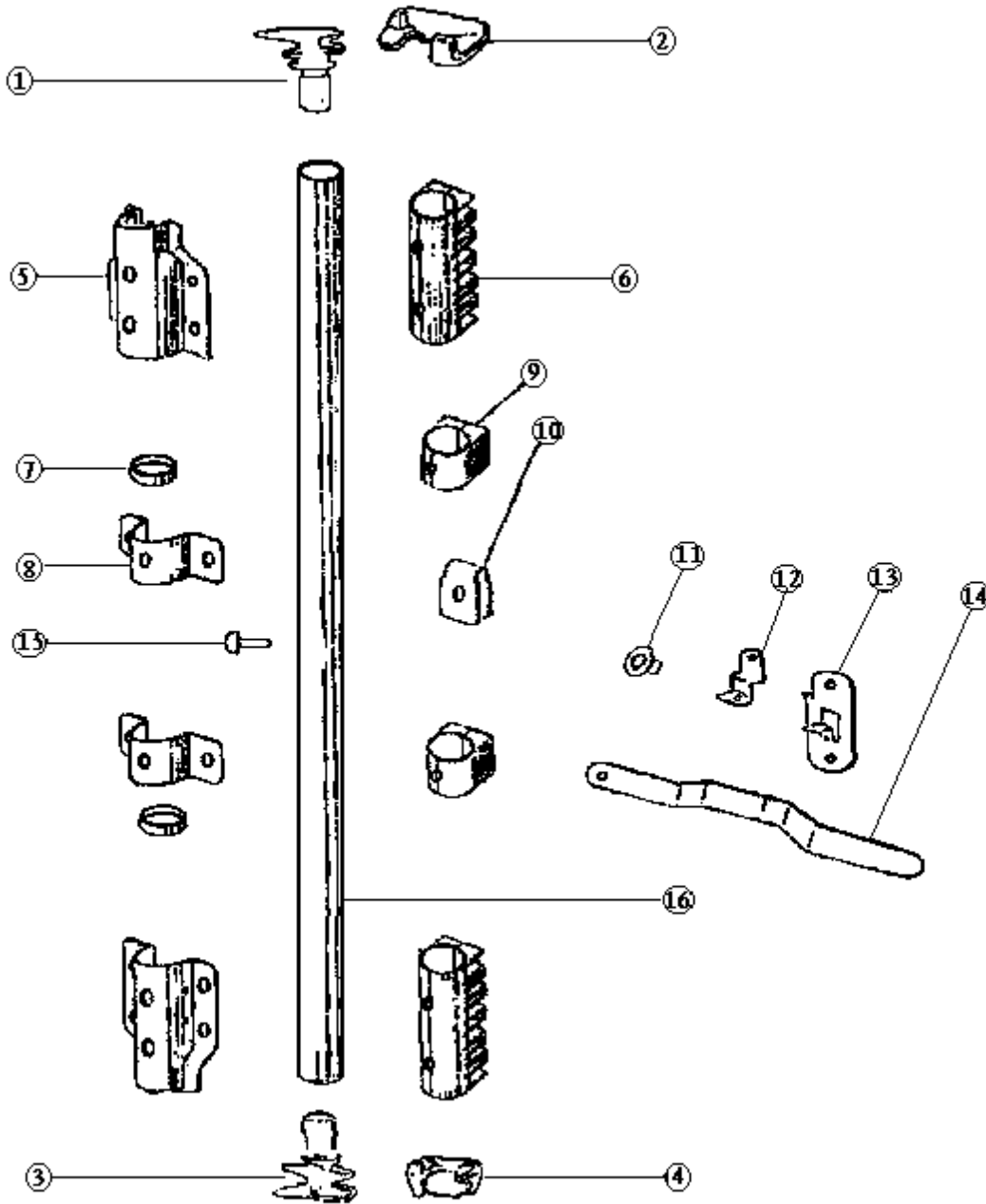
Web Site WWW.TRUCKLINE-SALE.COM

Description: **1" Cam Locking System**

Material: Galvanized Steel

Comment: **Stock Item**

Part No. TL-Lock-02-3566L & 3566R 1" Swing Door Lock (specify left or right)
3567L & 3567R
3568L & 3568R



- Pip is not included

Truckline Inc.

Call Us at **Tel: 201-887-2506**

Truck & Trailer Body Parts Mfg. & Sales

Web Site WWW.TRUCKLINE-SALE.COM

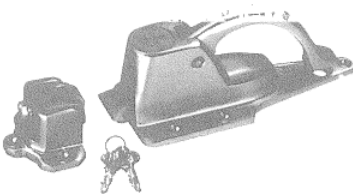
Comment: **Stock Item**

Part No.: **TL-Lock-03-512-001**

Brass Double Locks

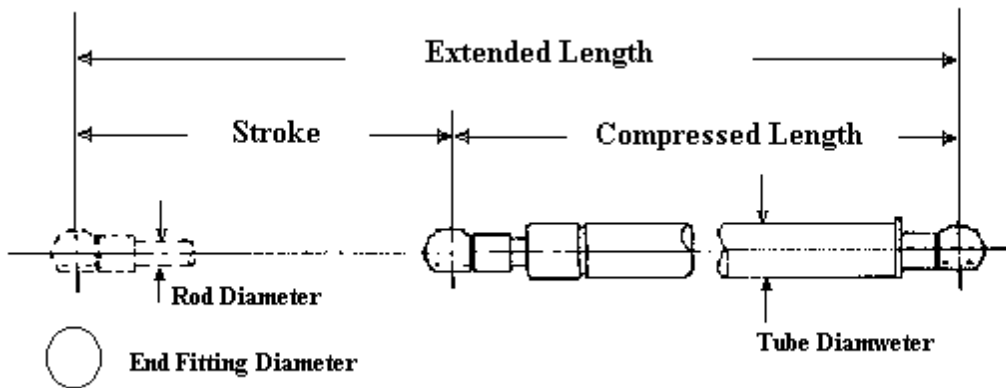
These double locks are manufactured from rugged cast brass. Provides two refrigerator latches for positive latching of insulated doors. Brass locks are provided with a 3/4" stainless steel tube mounted on the end of the lock handle. The 503 lock is supplied with a padlocking hole. The 512 lock is supplied with a solid brass cylinder lock. Length from center of lock to center of lock is 50".

Finish — Chrome plated



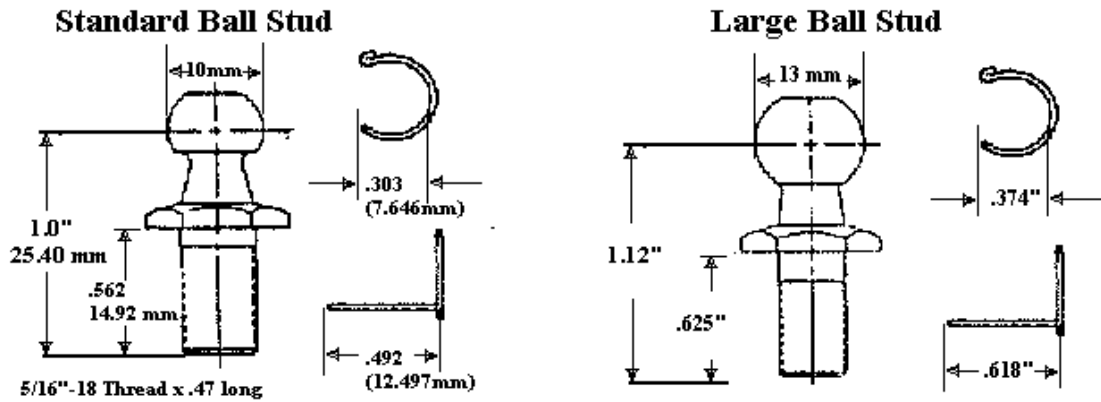
Gas Spring With Metal Ends

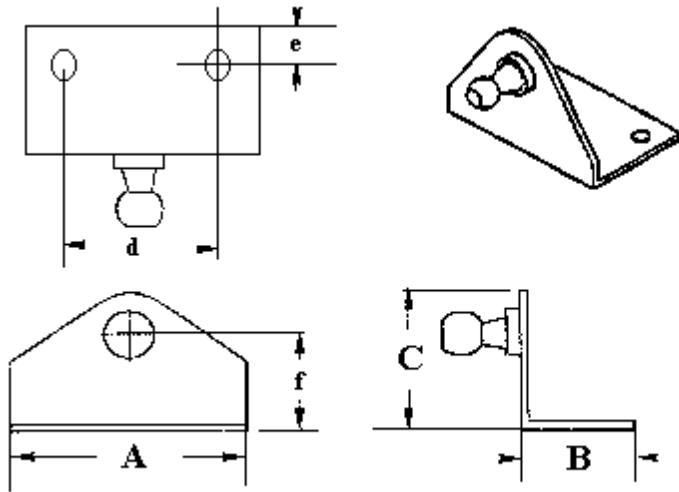
PART NO.	Diam. mm	Tube Diam	Stroke	Ext. Len	Comp' d Len.	Lbs	End Fitting	P1 Forces available (LBS)
TL-Gas-Spring-01-120	8	19	6"	17"	11.0"	120	0.39"	20,30,60,90,120,150
TL-Gas-Spring-02-150	10	22	11.5"	28"	16.5"	150	0.51"	100,120,150,200,250
TL-Gas-Spring-03-120	8	19	3.5"	11.9"	8.4"	120	0.39"	20,30,60,90,120,150
TL-Gas-Spring-04-120	8	19	5.5"	15.25"	10.25"	120	0.39"	20,30,60,90,120,150
TL-Gas-Spring-05-120	8	19	8"	20"	12"	120	0.39"	20,30,60,90,120,150
TL-Gas-Spring-06-120	6	15	2"	7.5"	5.5"	120	0.39"	20,30,40,60,80
TL-Gas-Spring-07-120	6	15	3"	10"	5.5"	120	0.39"	20,40,60,80,100
TL-Gas-Spring-08-120	6	15	3.5"	12"	8.5"	120	0.39"	20,30,40,60,90
TL-Gas-Spring-09-120	6	15	5.5"	5"	9.5"	120	0.39"	20,30,40,60,80
TL-Gas-Spring-10-120	6	15	6"	17"	11"	120	0.39"	20,30,40,50,60,80,90
TL-Gas-Spring-11-120	6	15	8"	20"	12"	120	0.39"	20,30,40,60,80,90



Ball Studs

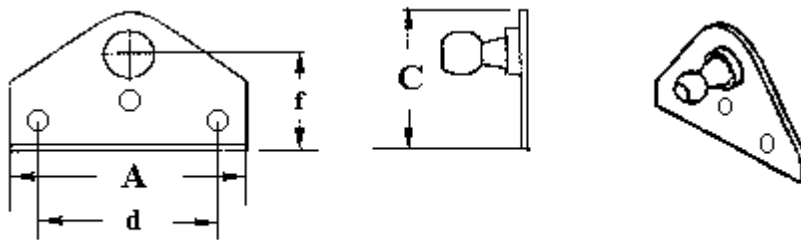
PART NO.	Comments
TL-Gas-Spring-P-004	Standard Ball Stud
TL-Gas-Spring-P-005	Large Ball Stud
TL-Gas-Spring-P-006	Safety Clip For 13mm Ball Stud
TL-Gas-Spring-P-007	Safety Clip For 10mm Ball Stud





Gas Spring Brackets

PART NO.	A	B	C	d	e	f	Comments
TL-Gas-Spring-P-001	2.25"	0	0.43"	1.5"		1.0"	Flat Bracket
TL-Gas-Spring-P-002	2.0"	.65"	1.13"	1.5"	.25"	.74"	
TL-Gas-Spring-P-003	2.125"	.812"	2.062"	1.5"	.312"	2.06"	Tall Bracket
TL-Gas-Spring-P-008	2.0"	.65"	1.13"	1.5"	.25"	.74"	Ball is inside
TL-Gas-Spring-P-009	2.0"	1.2"	1.45"	1.5"	.328"	1.0"	



Flat Bracket

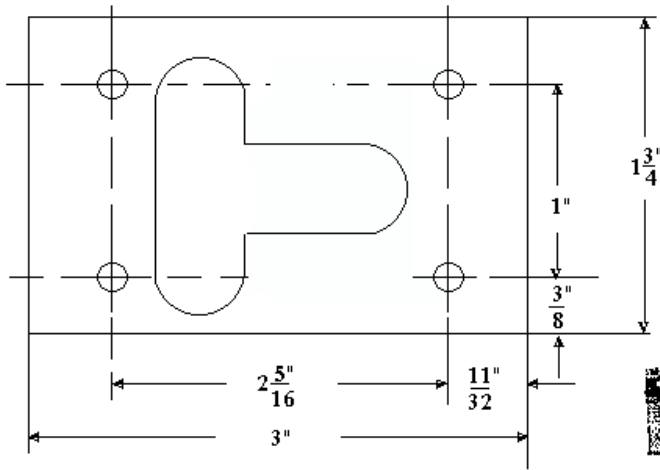
Description.: **Hold Tite Door Holder Stainless Steel**

Truckline Inc.

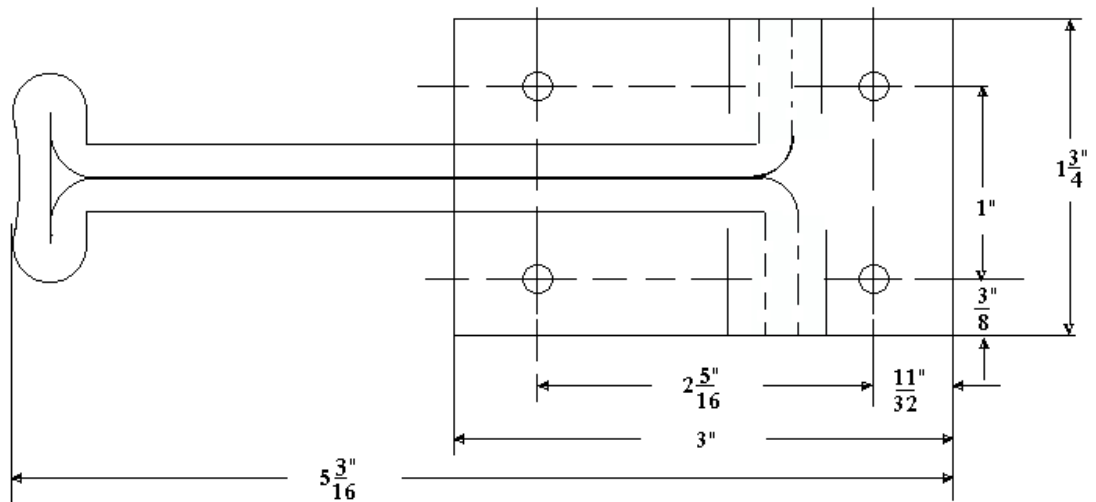
Call Us at **Tel: 201-887-2506**

Truck & Trailer Body Parts Mfg. & Sales

Web Site WWW.TRUCKLINE-SALE.COM



Part # TL-DOOR-9-P-002



Truckline Inc.

Call Us at **Tel: 201-887-2506**

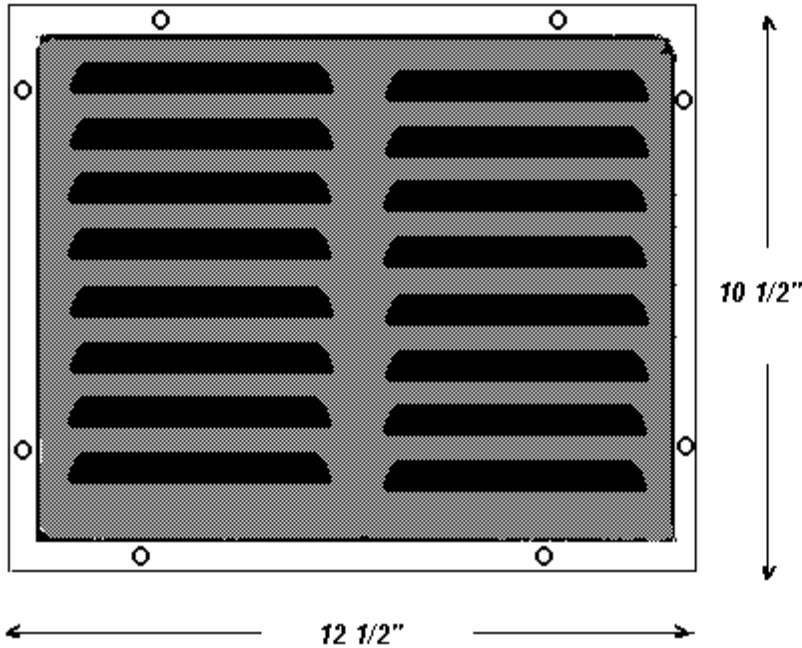
Truck & Trailer Body Parts Mfg. & Sales

Web Site WWW.TRUCKLINE-SALE.COM

Description: **Aluminum Vent with or without closure**

Part No.: **TL-Vent-01-20** 12-1/4"x10-1/2" Aluminum Vent with Closure Weight 1.5 lbs

Part No.: **TL-Vent-01-22** 12-1/4"x10-1/2" Aluminum Vent Weight 0.5 lbs

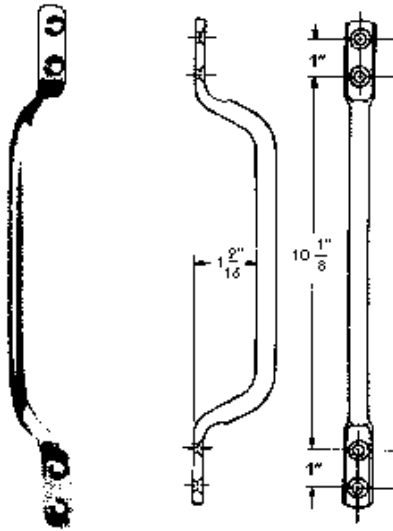


Truckline Inc.

Call Us at **Tel: 201-887-2506**

Truck & Trailer Body Parts Mfg. & Sales

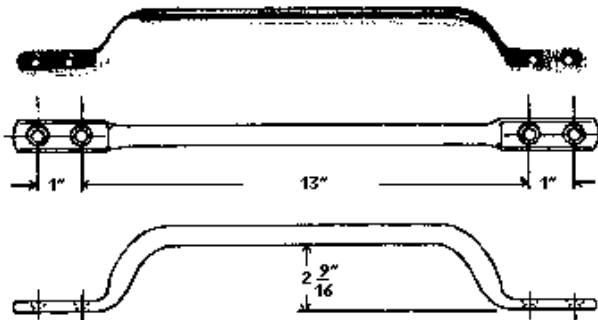
Web Site WWW.TRUCKLINE-SALE.COM



Steel assist handle. 1/2" dia. steel or Aluminum rod. 13" overall, 2" high with 7" grab. Holes Drilled and countersunk for 1/4" screws.

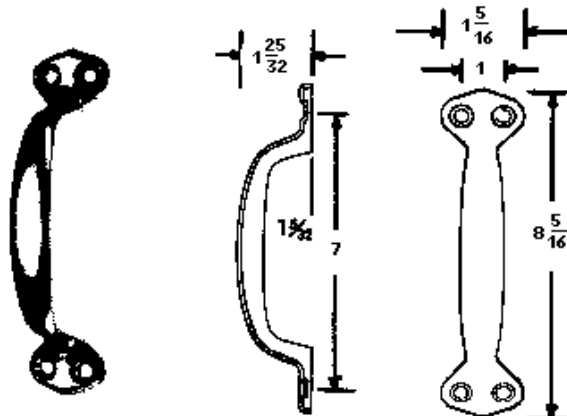
overall

Material	Part Number	Weight
Aluminum	TL-HDW-01-816	0.3 lbs
Steel Cromplated	TL-HDW-01-817C	0.8 lbs



Steel assist handle. 1/2" dia. steel rod. 16" overol, 3" high with 9" grab. Holes are Drilled and countersunk for 1/4" screws.

Material	Part Number	Weight
Chrome Finish	TL-HDW-01-819C	1 lbs
Zinc Plated	TL-HDW-01-819Z	1 lbs



Heavy Duty solid zinc die-cast handle. 8" overol length, 2" wide at base with 5" grab.

Finish	Part Number	Weight
Black Enamel	TL-HDW-01-814	0.9 lbs
Bright Chrome	TL-HDW-01-815	0.9 lbs

Truckline Inc.

Call Us at **Tel: 201-887-2506**

Truck & Trailer Body Parts Mfg. & Sales

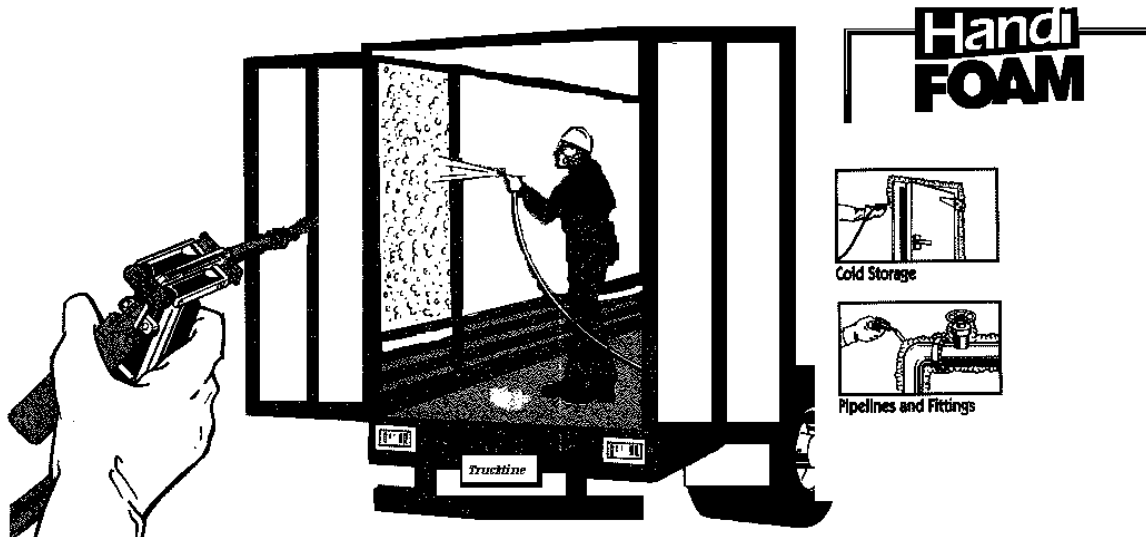
Web Site WWW.TRUCKLINE-SALE.COM

Description: **One Component Polyurethane Foam**

Size Available : **8.75, 17 & 50 cu/ft**

Part No.: **TL-FOAM-II-105
TL-FOAM-II-205
TL-FOAM-II-605**

Comment: **Stock Item**



FEATURES	BENEFITS
•Reliable dispensing system	•Reduces waste
•Spray-in-place foam	•Saves labor time
•Quick cure	•Minimizes down time
•Broad range of product sizes	•Select the size you need for the job you're doing
•Available in different densities	•Allows for many various applications
•Non CFC/contains No formaldehyde	•Material cost savings, minimal over foaming and waste