

# *Fastener for* *Truck & Trailer Bodies*

*Bolts & Nuts*

*Bottom Rail Bolts*

*FRP Bolts & Nuts*

*FRP Fasteners*

*NicNut*

*Pop Rivets*

*Brazier Head Rivets*

*Nylon Tap Rivets*

*Floor Screws*

- Note: 1. The Rivet material should match to the members being fastened.
2. A Dome Head Rivet offers a head size twice the diameter of the rivet body.

*If you don't see what you need here,  
please let us know, we most likely have  
it.*

We also have NYLON TAP Rivets 1/4"x3/4", 1",2"

# TruckCamtainers

Tel: 201-887-2506

Truck & Trailer Bolts & Nuts Sales

Web Site [WWW.TruckCamtainers.COM](http://WWW.TruckCamtainers.COM)



Part No.		
TL-FST-N-008-1	5/16"-18 x 3/8"	T-Nut Zinc Torx Head
TL-FST-N-008-2	5/16"-18 x 1/2"	T-Nut Zinc Torx Head
TL-FST-N-008-3	5/16"-18 x 5/8"	T-Nut Zinc Torx Head



Part No.	A	B	C	Color
TL-FST-N-001-1W	1.1"	0.258	0.438	White
TL-FST-N-001-1G	1.1"	0.258	0.438	Gray
TL-FST-N-001-2W	1.1"	0.258	0.625	White
TL-FST-N-001-2G	1.1"	0.258	0.625	Gray



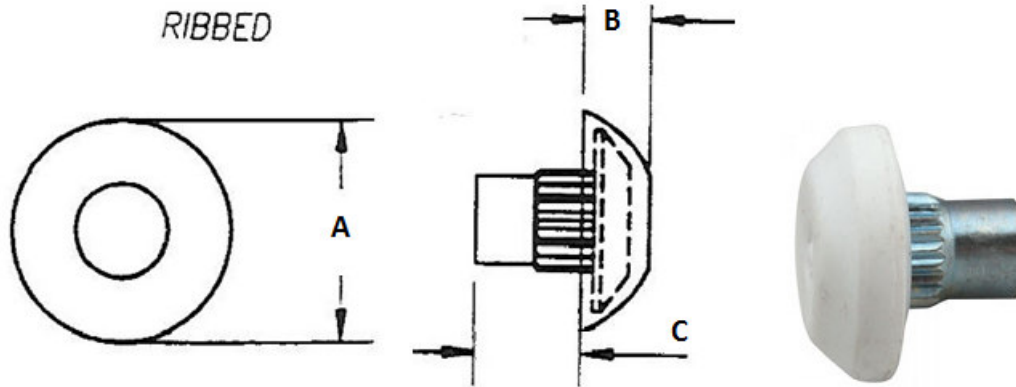
Part No.		
TL-FST-N-006-1	6 mm x 3/8"	T-Nut Zinc Torx Head
TL-FST-N-006-2	6 mm x 1/2"	T-Nut Zinc Torx Head

# TruckCamtainers

Tel: 201-887-2506

Truck & Trailer Bolts & Nuts Sales

Web Site [WWW.TruckCamtainers.COM](http://WWW.TruckCamtainers.COM)



## Encapsulated FRP Fastening System in

Part No.	Thread Size	A	B	C	Color
TL-FST-N-007-1W	1/4"-20	0.825	0.25	0.425	White
TL-FST-N-007-1G	1/4"-20	0.825	0.25	0.425	Gray
TL-FST-N-007-1P	1/4"-20	0.825	0.25	0.425	Penske
TL-FST-N-007-1R	1/4"-20	0.825	0.25	0.425	Ryder
TL-FST-N-007-2W	5/16"-18	1.1	0.258	0.455	White
TL-FST-N-007-2G	5/16"-18	1.1	0.258	0.455	Gray



Part No.	1/4" NICNUT White, Yellow or Gray
TL-FST-N-003-1W	White*-
TL-FST-N-003-1G	Gray*

# TruckCamtainers

Tel: 201-887-2506

Truck & Trailer Bolts & Nuts Sales

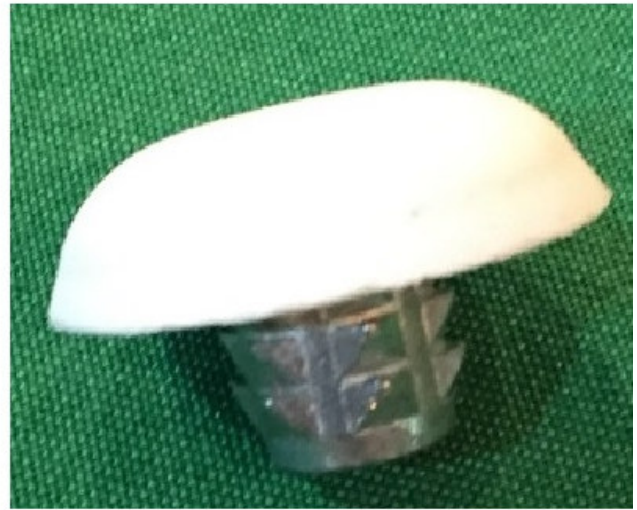
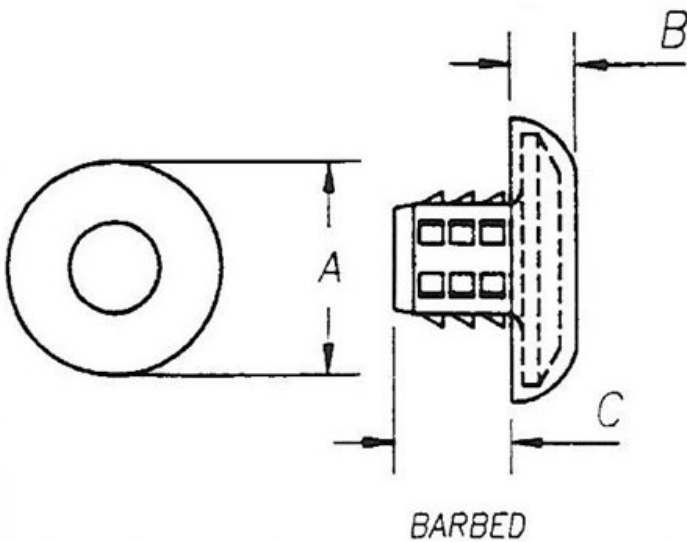
Web Site [WWW.TruckCamtainers.COM](http://WWW.TruckCamtainers.COM)

<b>TL-FST-N-003-1Y</b>	Yellow*
------------------------	---------

\* Minimum Order Required



Part No.		QTY=25	QTY=50	QTY=75	QTY=100
<b>TL-FST-N-004-1</b>	<b>3/8"-16 Nut with Flange</b>	<b>\$3.75</b>	<b>\$6.50</b>	<b>\$8.25</b>	<b>\$10.00</b>



Part No.	Thread Size	A	B	C	Neck	Color
TL-FST-N-010-1W	5/16"-18	1.1	0.258	0.455	Barbed	White
<b>TL-FST-N-010-1G</b>	<b>5/16"-18</b>	<b>1.1</b>	<b>0.258</b>	<b>0.455</b>	<b>Barbed</b>	<b>Gray</b>
TL-FST-N-010-1P	5/16"-18	1.1	0.258	0.455	Barbed	Penske
<b>TL-FST-N-010-1R</b>	<b>5/16"-18</b>	<b>1.1</b>	<b>0.258</b>	<b>0.455</b>	<b>Barbed</b>	<b>Ryder</b>

# TruckCamtainers

Tel: 201-887-2506

Truck & Trailer Bolts & Nuts Sales  
 Web Site [WWW.TruckCamtainers.COM](http://WWW.TruckCamtainers.COM)



Part No.	Round Base T-Nut	QTY=25	QTY=50	QTY=75	QTY=100
TL-FST-N-009-1	1/4"x 1/2" <b>Round Base</b>				
TL-FST-N-009-1S	1/4"x 1/2" <b>Slided Round Base</b>				



Part No.	Round Base T-Nut	QTY=25	QTY=50	QTY=75	QTY=100
TL-FST-N-009-2	5/16"x 9/16" <b>Round Base</b>				

# TruckCamtainers

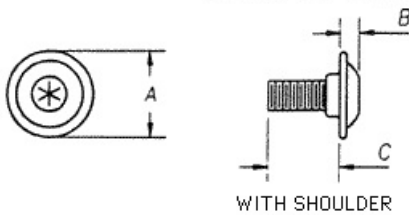
Tel: 201-887-2506

Truck & Trailer Bolts & Nuts Sales

Web Site [WWW.TruckCamtainers.COM](http://WWW.TruckCamtainers.COM)



Part No.	Thread Size	Length	Price for qty=25	Price for qty=50	Price for qty=75	Price for qty=100
TL-FST-B-001-1	5/16"-18	3/4"	\$15.00	\$26.00	\$33.00	\$40.00
TL-FST-B-001-2	5/16"-18	15/16"	\$18.75	\$32.50	\$41.25	\$50.00



Part No.	Thread Size	A	B	C	Lock Patch Color	Price for qty=25	Price for qty=50	Price for qty=75	Price for qty=100
TL-FST-B-004-1	5/16"-18	0.725	0.165	1/2"	Yellow				
TL-FST-B-004-2	1/4"-20	0.725	0.165	5/8"	green				
TL-FST-B-004-3	1/4"-20	0.725	0.165	3/4"	Blue				
TL-FST-B-004-4	1/4"-20	0.725	0.165	7/8"	Yellow				
TL-FST-B-005-1	5/16"-18	0.870	0.188	5/8"	Yellow				
TL-FST-B-005-2	5/16"-18	0.870	0.188	3/4"	Yellow				
TL-FST-B-005-3	5/16"-18	0.870	0.188	7/8"	Yellow				
TL-FST-B-005-4	5/16"-18	0.870	0.188	1"	Yellow				
TL-FST-B-005-5	5/16"-18	0.870	0.188	1-1/8"	Yellow				

# TruckCamtainers

Tel: 201-887-2506

Truck & Trailer Bolts & Nuts Sales  
 Web Site [WWW.TruckCamtainers.COM](http://WWW.TruckCamtainers.COM)



Note: Option Lock Patch Color & Plastic Washer

Part No.	Thread Size	X=Length
TL-FST-B-003-1-X	1/4"-20	1/4", 5/16", 1/2", 3/4", 1", 1-1/4", 1-1/2", 1-3/4", 2", 2-1/4", 2-1/2", 2-3/4", 3"
TL-FST-B-003-2-X	5/16"-18	1/4", 5/16", 1/2", 3/4", 1", 1-1/4", 1-1/2", 1-3/4", 2", 2-1/4", 2-1/2", 2-3/4", 3"
TL-FST-B-003-3-X	3/8"-16	1/4", 5/16", 1/2", 3/4", 1", 1-1/4", 1-1/2", 1-3/4", 2", 2-1/4", 2-1/2", 2-3/4", 3"
TL-FST-B-003-4-X	1/2"-13	1/4", 5/16", 1/2", 3/4", 1", 1-1/4", 1-1/2", 1-3/4", 2", 2-1/4", 2-1/2", 2-3/4", 3"



Part No.	Thread Size	Length
TL-FST-B-002-1	3/8"-16	1-1/4"

# TruckCamtainers

Tel: 201-887-2506

Truck & Trailer Bolts & Nuts Sales

Web Site [WWW.TruckCamtainers.COM](http://WWW.TruckCamtainers.COM)



Note: Available with or without Seal Also can be Encapsulated

Part No.	Thread Size	Length
TL-FST-B-008-1	5/16"-18	3/4"
TL-FST-B-008-2	5/16"-18	7/8"
TL-FST-B-008-3	5/16"-18	1"
TL-FST-B-008-4	5/16"-18	1-1/4"
TL-FST-B-008-5	5/16"-18	1-1/2"



Part No.		Thread Size	Length	Price for qty=25	Price for qty=50	Price for qty=75	Price for qty=100
TL-FST-B-007-1	Camtainer Bolt With Gray Cap	6mm x	1/2"				
TL-FST-B-007-2	Camtainer Bolt With Gray Cap	5/16"-18	15/16"				



# TruckCamtainers

Tel: 201-887-2506

Truck & Trailer Bolts & Nuts Sales  
Web Site [WWW.TruckCamtainers.COM](http://WWW.TruckCamtainers.COM)



Part No.	Thread Size	Length
TL-FST-B-008-1E	5/16"-18	3/4"
TL-FST-B-008-2E	5/16"-18	7/8"
TL-FST-B-008-3E	5/16"-18	1"
TL-FST-B-008-4E	5/16"-18	1-1/4"
TL-FST-B-008-5E	5/16"-18	1-1/2"

Note: Available with or without Seal

# TruckCamtainers

Tel: 201-887-2506

Truck & Trailer Bolts & Nuts Sales

Web Site [WWW.TruckCamtainers.COM](http://WWW.TruckCamtainers.COM)

## Mega Grip - Monobolt Fasteners

<b>PART NO.</b>	<b>Body Mandrel</b>	<b>Head Style</b>	<b>Rivet Diam</b>	<b>Grip Range</b>	<b>Rivet Len</b>	<b>Head Style</b>
<b>TL-FST-R-006-1</b>	<b>Steel Steel</b>	<b>Flush Head</b>	<b>1/4"</b>	<b>.160 .475</b>	<b>0.66"</b>	<b>CounterSunk</b>
<b>TL-FST-R-007-0</b>	<b>Steel Steel</b>	<b>Truss Head</b>	<b>1/4"</b>	<b>0.08 .625</b>	<b>3/4"</b>	<b>Brazier</b>
<b>TL-FST-R-007-2</b>	<b>Steel Steel</b>	<b>Truss Head</b>	<b>1/4"</b>	<b>0.08 .375</b>	<b>1/2"</b>	<b>Brazier</b>
<b>TL-FST-R-008-1</b>	<b>Steel Steel</b>	<b>Truss Head</b>	<b>3/16"</b>	<b>0.62</b>	<b>0.57</b>	<b>Brazier</b>
<b>TL-FST-R-008-2</b>	<b>Stainless Steel</b>	<b>Truss Head</b>	<b>3/16"</b>	<b>0.62</b>	<b>0.57</b>	<b>Brazier</b>



## Structural Rivets - Dome Head

<b>PART NO.</b>	<b>Body &amp; Mandrel</b>	<b>Diam &amp; Len</b>	<b>Grip Range</b>	<b>Comments</b>
TL-FST-R-001-1	Alum/Steel	3/16" x 1"	0.5 - .781	Large Flange
TL-FST-R-001-2	Alum/Steel	3/16" x 3/4"	.25 - .5	
TL-FST-R-002-1	Steel/Steel	1/4" x 1"	.625 - .750	
TL-FST-R-002-2	Steel/Steel	1/4" x 15/32"	.020 - .250	
TL-FST-R-003-1	Alum/Steel	3/16" x 13/32"	.062 - .250	
TL-FST-R-003-1-BZ	Alum/Steel	3/16" x 13/32"	.062 - .250	Brazier Head
TL-FST-R-003-2	Alum/Steel	3/16" x 3/4"	.187-.437	
TL-FST-R-003-2-BZ	Alum/Steel	3/16" x 3/4"	.187-.437	Brazier Head
TL-FST-R-005-1	Alum/Steel	5/32" x 5/8"	.376 - .5	Painted white
TL-FST-R-012-1	Alum/Steel	3/16" x 9/16"	.313-.375	
TL-FST-R-012-2	Alum/Steel	3/16" x 5/16"	.020-.125	
TL-FST-R-013-0	Alum/Alum	3/16" x 3/4"	.501 - .625	
TL-FST-R-014-1	Alum/Alum	1/4" x 1"		Shaveable head
TL-FST-R-014-2	Alum/Alum	3/16" x 1"		Shaveable head
TL-FST-R-016-1	Alum/Steel	1/4" x 1"	.625 - .750	

# **TruckCamtainers**

Truck & Trailer Bolts & Nuts Sales  
Web Site [WWW.TruckCamtainers.COM](http://WWW.TruckCamtainers.COM)

**Tel: 201-887-2506**

## Floor Screws

PART NO.	Size 5/16"-18 Length
TL-FST-F-004-100	1"
TL-FST-F-004-150	1.5"
TL-FST-F-004-200	2"
TL-FST-F-004-250	2.5"
TL-FST-F-004-300	3"
TL-FST-F-004-400	4"
TL-FST-F-004-500	5"
TL-FST-F-004-600	6"
	Size 1/4"-20
TL-FST-F-005-100	1"
TL-FST-F-005-150	1.50"
TL-FST-F-005-200	2"
TL-FST-F-005-250	2.50"
TL-FST-F-005-300	3"
TL-FST-F-005-400	4"
TL-FST-F-005-500	5"
TL-FST-F-005-600	6"



We Carry a Bottom Rail **Bolt & Nut with Washer Kit**

## Aluminum Brazier Head Rivets



PART NO. Hard Rivets 3/16" Diameter	PART NO. Soft Rivets 3/16" Diameter	PART NO. Hard Rivets 1/4" Diameter	PART NO. Soft Rivets 1/4" Diameter	L Length
TL-FST-S-H1-04	TL-FST-S-S1-04	TL-FST-S-H2-04	TL-FST-S-S2-04	1/4"
TL-FST-S-H1-05	TL-FST-S-S1-05	TL-FST-S-H2-05	TL-FST-S-S2-05	5/16"
TL-FST-S-H1-06	TL-FST-S-S1-06	TL-FST-S-H2-06	TL-FST-S-S2-06	3/8"
TL-FST-S-H1-07	TL-FST-S-S1-07	TL-FST-S-H2-07	TL-FST-S-S2-07	7/16"
TL-FST-S-H1-08	TL-FST-S-S1-08	TL-FST-S-H2-08	TL-FST-S-S2-08	1/2"
TL-FST-S-H1-09	TL-FST-S-S1-09	TL-FST-S-H2-09	TL-FST-S-S2-09	9/16"
TL-FST-S-H1-10	TL-FST-S-S1-10	TL-FST-S-H2-10	TL-FST-S-S2-10	5/8"
TL-FST-S-H1-11	TL-FST-S-S1-11	TL-FST-S-H2-11	TL-FST-S-S2-11	11/16"
TL-FST-S-H1-12	TL-FST-S-S1-12	TL-FST-S-H2-12	TL-FST-S-S2-12	3/4"
TL-FST-S-H1-13	TL-FST-S-S1-13	TL-FST-S-H2-13	TL-FST-S-S2-13	13/16"
TL-FST-S-H1-14	TL-FST-S-S1-14	TL-FST-S-H2-14	TL-FST-S-S2-14	7/8"
TL-FST-S-H1-15	TL-FST-S-S1-15	TL-FST-S-H2-15	TL-FST-S-S2-15	15/16"
TL-FST-S-H1-16	TL-FST-S-S1-16	TL-FST-S-H2-16	TL-FST-S-S2-16	1"
		Hard Rivets 1/4" Diameter Modified head	Soft Rivets 1/4" Diameter Modified head	
		TL-FST-S-H2-06M	TL-FST-S-S2-06M	3/8"
		TL-FST-S-H2-08M	TL-FST-S-S2-08M	1/2"
		TL-FST-S-H2-09M	TL-FST-S-S2-09M	9/16"
		TL-FST-S-H2-12M	TL-FST-S-S2-12M	3/4"

We also have NYLON TAP Rivets 1/4"x3/4", 1", 2"