

Doors

Roll Up & Swing Doors

- ❑ **General Purpose Roll Up Doors (Plastic & Aluminum Clad)**
- ❑ **Whiting Premium**
- ❑ **Whiting Coldsaver 2 1/8" insulated door**
- ❑ **Beverage Roll Up Doors, Made to Size**

- ❑ **We stock 90x90 Aluminum Clad Roll Up Doors**

Truckline Inc.

Call Us at **Tel: 201-887-2506**


Truck & Trailer Body Parts Mfg. & Sales

Web Site WWW.TRUCKLINE-SALE.COM

Description: **Plywood Swing Door Panel**

Part Number	Description - Stock Sizes	
TL-Door-2-096	3/4" x49" x 96" Plymetal Door Panels White/White Aluminum	
TL-Door-2-110	3/4" x49" x 110" Plymetal Door Panels White/Bare Aluminum	
TL-Door-2-120	3/4" x49" x 120" Plymetal Door Panels White/Bare Aluminum	

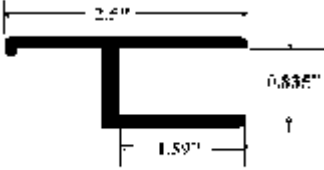

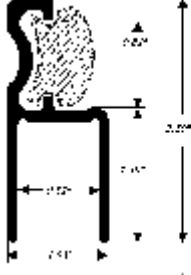
Other Sizes and Combination are available

Part Number	Description - Stock Sizes	
TL-Door-9-P-001	3/4"x14' Gasket	
TL-Door-9-P-002	3/4"x8.5' Gasket	

We carry all you need to complete a swing door (Hinges, Cam Lock & Door holder)

Door Frames

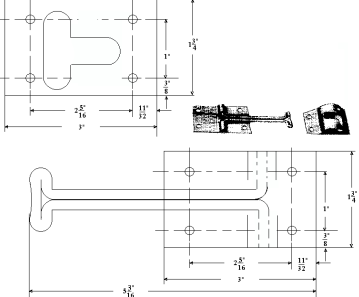
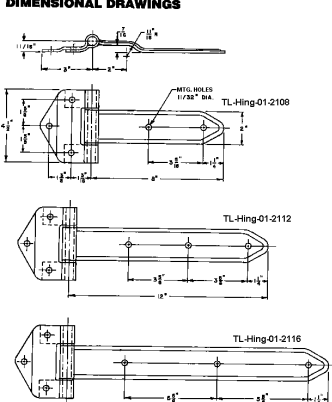
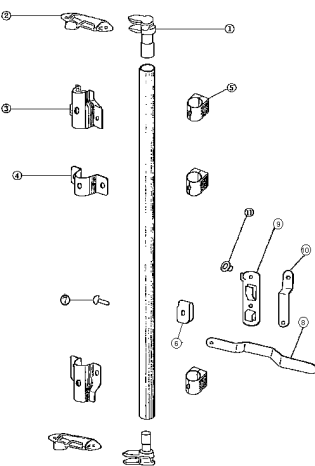
For Detail see Aluminum Extrusion section

TL-AEXT-07-024	TL-AEXT-03-096	TL-AEXT-11-24
		

Used on FRP Body

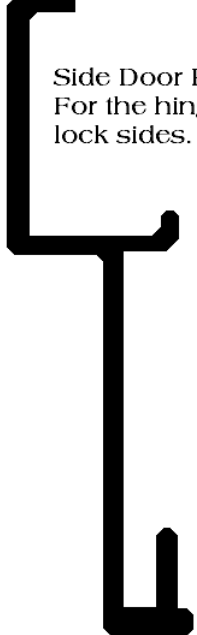
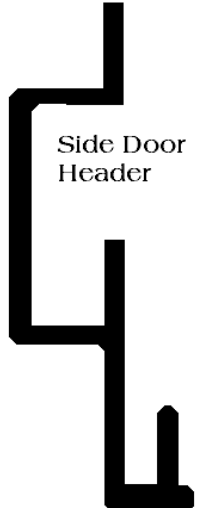


Used on Aluminum Body

Other Parts needed for the Side door

Door Holder TL-Door-9-P-002	Hinges TL-HING-01-2112	Door Lock TL-Lock-02-3010-X
	<p>DIMENSIONAL DRAWINGS</p> 	

Door Frames

For Detail See Aluminum Extrusion section

TL-Morgan-Post-6-108	TL-Morgan-Head-2-40	TL-Morgan-Head-4-108	TL-Morgan-Post-3-108
 <p>Side Door Post, For the hinge & lock sides.</p>	 <p>Side Door Header</p>	 <p>Lock side Door Post</p> <p>For FRP Body</p>	 <p>Post & Header for FRP Body</p>

Truckline Inc.

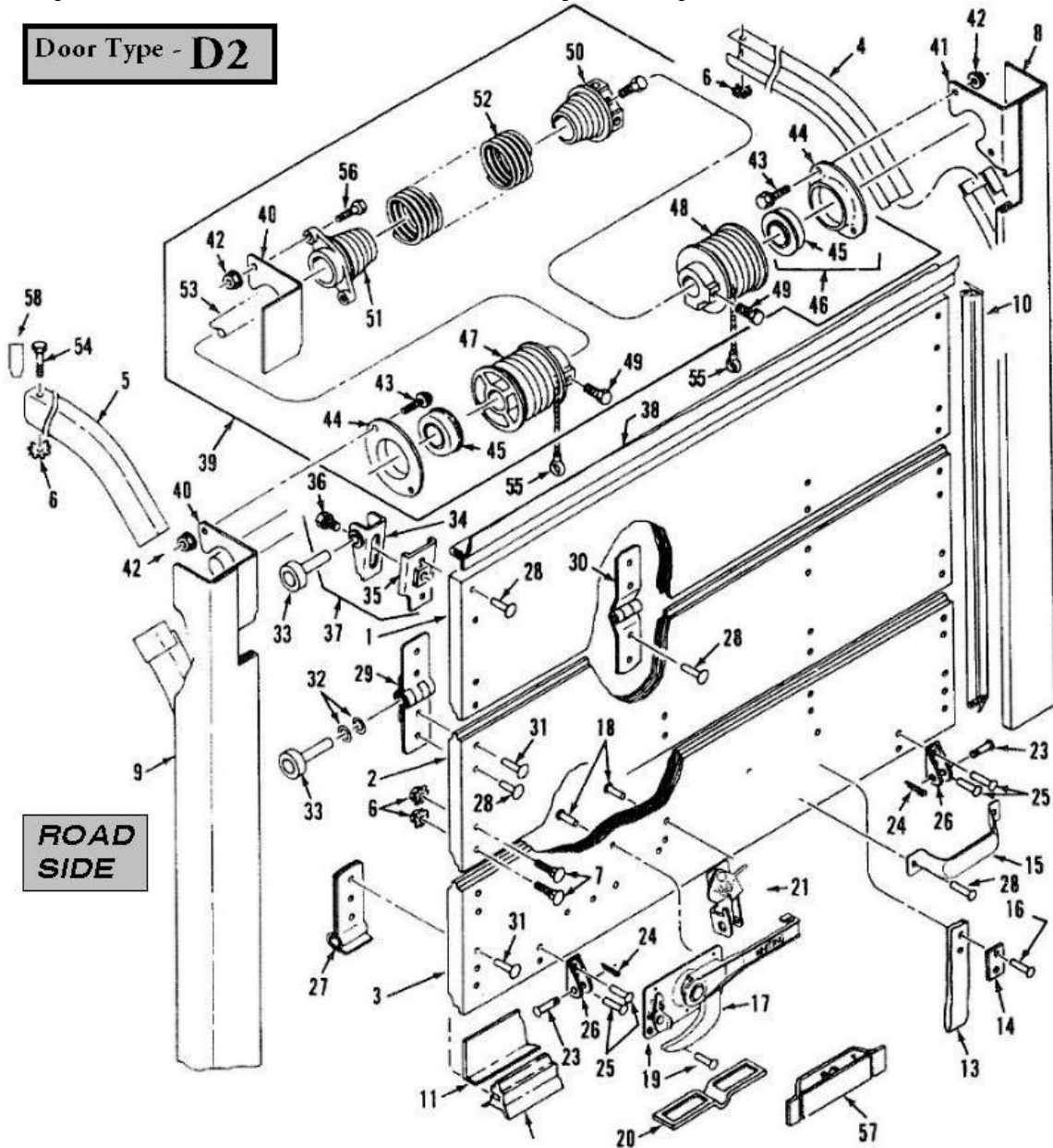
Call Us at **Tel: 201-887-2506**

Truck & Trailer Body Parts Mfg. & Sales

Web Site WWW.TRUCKLINE-SALE.COM

General Purpose 3/4" Dry Fright Roll Up Door Plastic or Aluminum Clad
Compatible with WHITING & TODCO General Purpose Roll up Doors

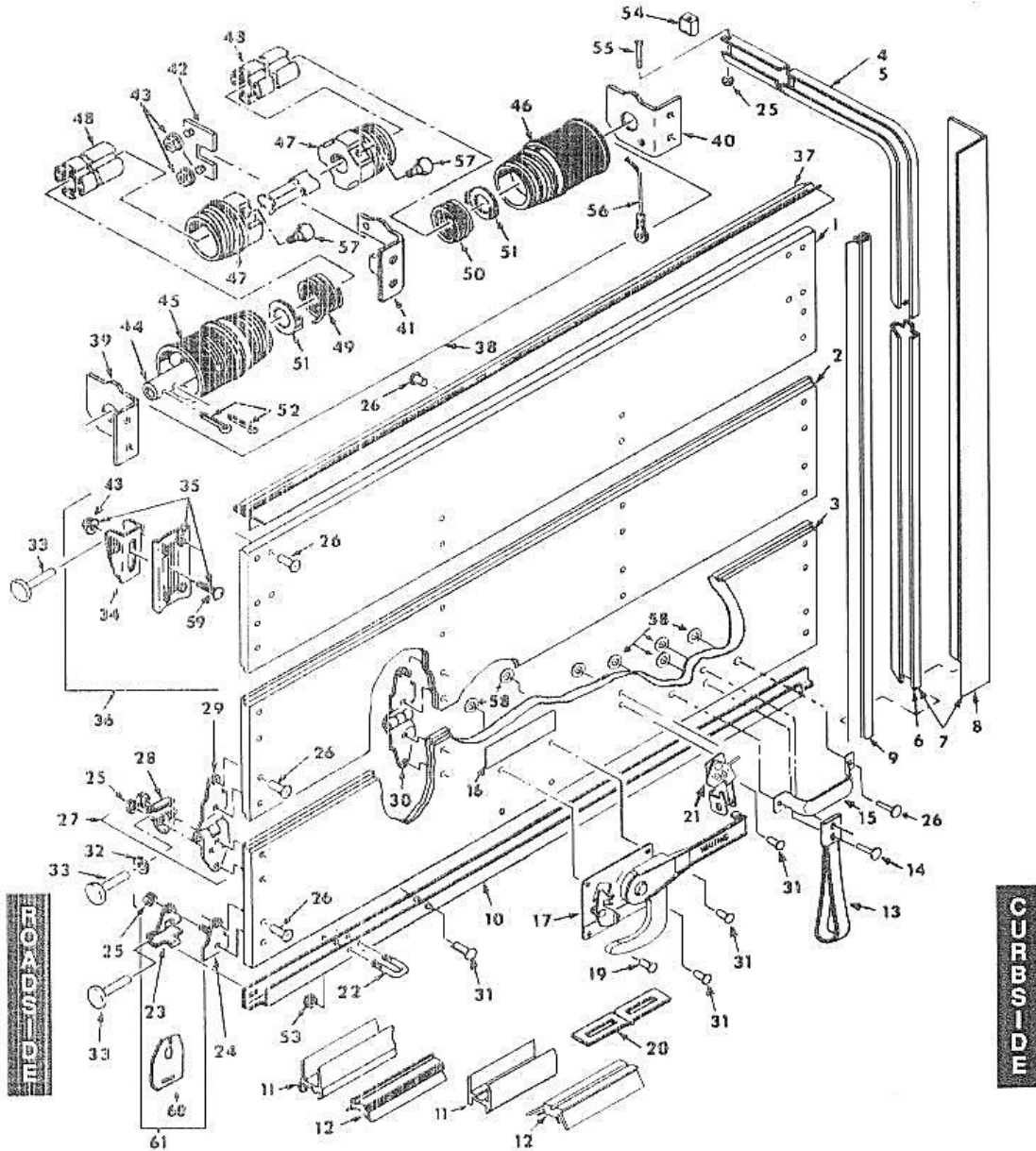
Door Type - **D2**



Use the Following to indicate the part number:

For Example the 1" Roll shown in the picture as number 33. The part number for it will be **D-2-P33**

D3- WHITING PREMIUM — 3/4" DRY FREIGHT DOOR PLASTIC OR ALUMINUM CLAD



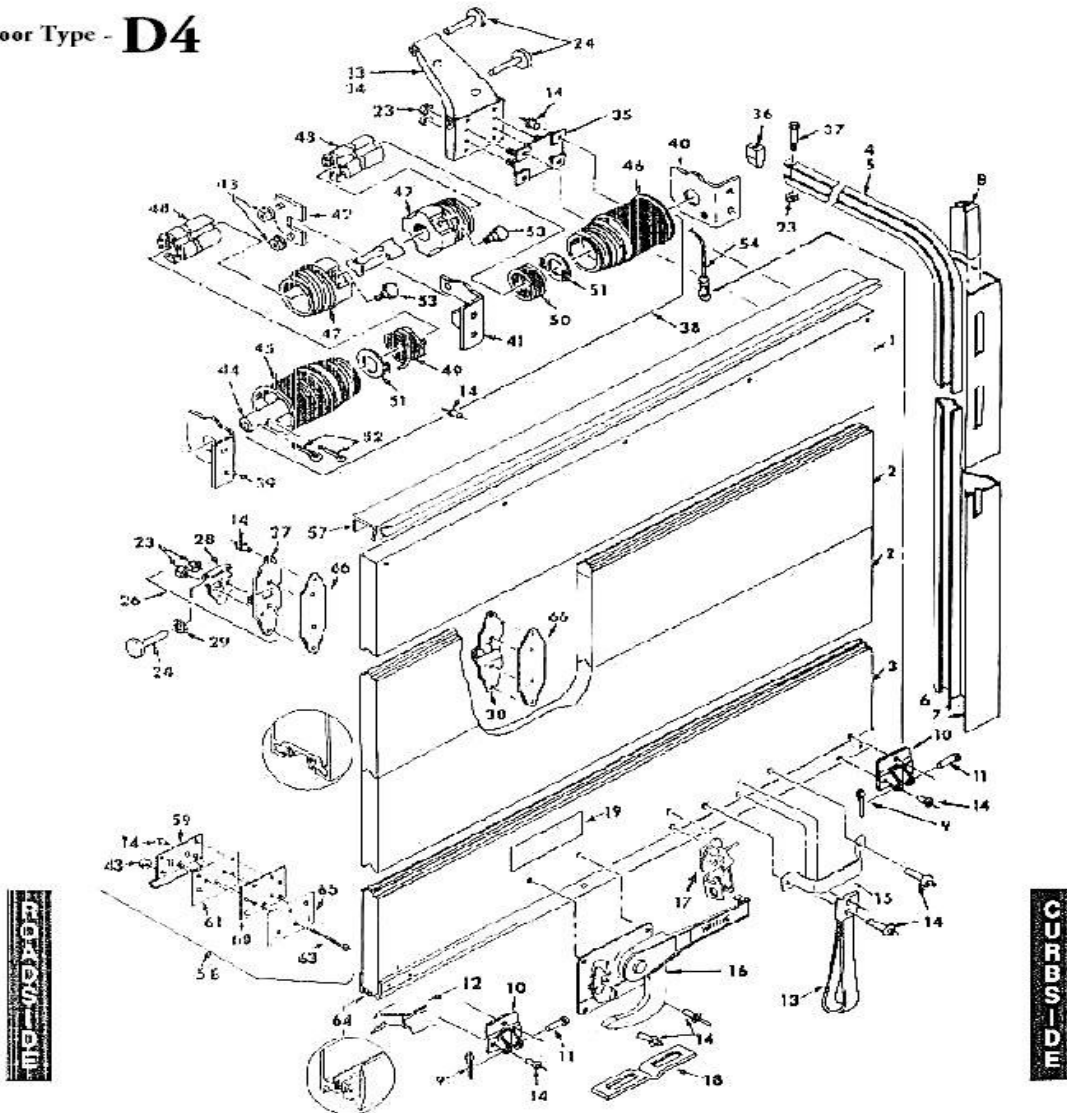
Use the Following to indicate the part number:

For Example the 2" Roll shown in the picture as number 33. The part number for it will be **D-3-P33**

Note: this door has 2" track & the Operator is made from two part spring.

WHITING COLDSAVER 2 1/8" INSULATED DOOR

Door Type - **D4**



Use the Following to indicate the part number:

For Example the 2" Nylon Roll shown in the picture is number 24.

The part number for it will be **D-4-P24**

Truckline Inc.

Call Us at **Tel: 201-887-2506**

Truck & Trailer Body Parts Mfg. & Sales

Web Site WWW.TRUCKLINE-SALE.COM

Description : **Itemidate Panel for Beverage Roll Up Door**

Part # **TL-AEXT-012-24**

Size: up to **24'** in stock

Material: 6061-T6

Aprox. Weight/ft - **0.80 Lbs**

